



# KSM44MP

## LARGE DIAPHRAGM MULTI-PATTERN CONDENSER MICROPHONE

### OVERVIEW

Featuring selectable polar patterns (Cardioid, Omnidirectional and Bidirectional), the KSM44MP provides unparalleled versatility in a sleek, dual-diaphragm design. A precision-engineered 1" capsule delivers natural clarity and a gentle, high-frequency lift that enhances subtle details while remaining smooth. This mic is ideal for modern production styles, including airy vocal texture, subtle overtones, and delicate instrumentation. Dual-diaphragm architecture stabilizes sensitivity and pattern consistency, improving off-axis control at low frequencies for cleaner multi-mic results. An included shock mount and pop filter isolates the microphone from rumbles and vibrations and blocks out plosives. Also includes premium case, hard mount and threaded adapter for a complete accessories suite.

### FEATURES

- **Selectable Polar Patterns: Cardioid, Omnidirectional and Bidirectional:** Versatility for vocalists, voiceover, instruments, stereo techniques, and ensembles. The voicing remains elegant and pristine across patterns.
- **Flat Response with Subtle High-Frequency Emphasis:** The Shure engineered 1" capsule guarantees natural clarity with a gentle high-frequency lift that enhances subtle details while remaining smooth. Ideal for modern production styles, including airy vocal texture, subtle overtones, and delicate instrumentation.
- **Optimized Polar Consistency & Low-Frequency Rejection:** Dual-diaphragm architecture stabilizes sensitivity and pattern consistency, improving off-axis control at low frequencies for cleaner multi-mic results.
- **Ultra Low Self Noise:** Supports building of clean tracks with more headroom. Capture quiet passages, add gain and compression when needed without hiss building up.
- **Sleek, Modern Design:** Low profile, lightweight all-metal design with a steel grille makes boom placement easy. Precision-machined construction highlights the golden capsule and delivers long term reliability for the studio.
- **Shock Mount + Detachable, Magnetic Pop Filter & Premium Accessory Suite:** The shock mount isolates the microphone from rumbles and vibrations and uses silicone suspension bands that are highly resistant to sagging and wear. A detachable magnetic pop filter easily snaps into place, helping reduce plosive sounds, and a premium carrying case is tailored to store the mic in its shock mount. Hard mount, threaded adapter and additional set of 8 shock mount bands also included.



**KSM44MP**  
Large Diaphragm Multi-Pattern  
Condenser Microphone

### SPECIFICATIONS All information and specifications are subject to change.

Type	Condenser	
Polar Pattern	Selectable: Cardioid, Omnidirectional, Bidirectional	
Frequency Response	20 to 20,000 Hz	
Output Impedance	47 Ω +/- 5	
Sensitivity (at 1 kHz, open circuit voltage)	Cardioid -30 dBV/Pa[1]	
	Omnidirectional -35 dBV/Pa[1]	
	Bidirectional -35 dBV/Pa[1]	
Self-Noise	Cardioid 5 dBA	
	Omnidirectional 7 dBA	
	Bidirectional 8 dBA	
Signal-to-Noise Ratio	Cardioid 89 dB	
	Omnidirectional 87 dB	
	Bidirectional 86 dB	
Maximum SPL (1 kHz at 1% THD)	<b>No Pad</b>	<b>With 15 dB Pad</b>
	1000 Ω load	1000 Ω load
	130 dB SPL	145 dB SPL
	2500 Ω load	2500 Ω load
	135 dB SPL	150 dB SPL
	5000 Ω load	5000 Ω load
135 dB SPL	150 dB SPL	
Polarity	Positive pressure on diaphragm produces positive voltage on pin 2 with respect to pin 3	
Connector	Three-pin professional audio (XLR), male	
Net Weight	295 g	
Housing	Machined, anodized aluminum alloy	
Power Requirements	48 V DC phantom power (5.9 mA), IEC 61938, P48	

### AVAILABLE MODELS

<b>KSM44MP</b>	Microphone, case, shock mount, magnetic pop filter, hard mount, threaded adapter
----------------	--

### OPTIONAL ACCESSORIES AND REPLACEMENT PARTS

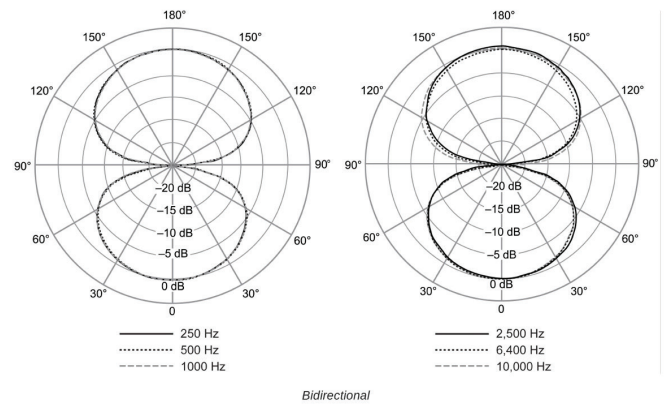
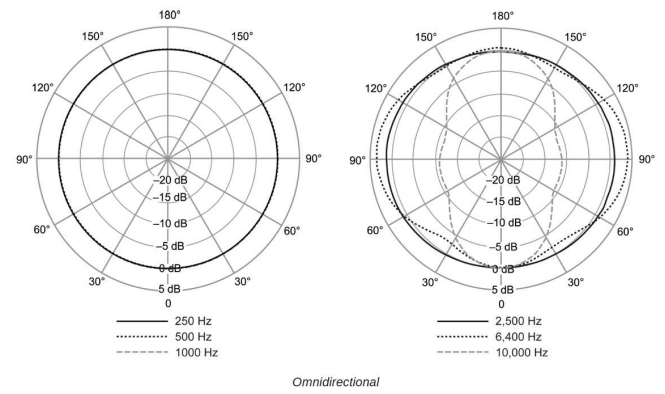
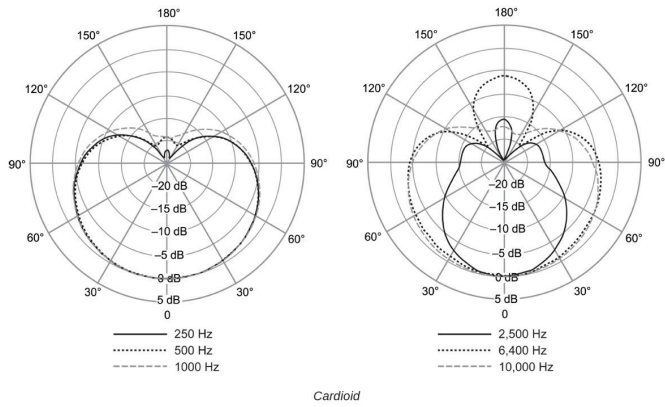
<b>AKSM32-HMKIT</b>	Hard mount and case for KSM32C
<b>A32CWS</b>	Foam windscreen for KSM32C
<b>AKSM32-SM</b>	Shock mount for KSM32C
<b>AKSM32-SMKIT</b>	Case and shock mount for KSM32C
<b>A4PF</b>	Magnetic pop filter
<b>AKSMEB</b>	Elastic bands for KSM mic shock mounts
<b>31B1856</b>	Brass adapter



**KSM44MP**  
Large Diaphragm Multi-Pattern  
Condenser Microphone

*Included accessories: case, shock mount, magnetic pop filter, hard mount, threaded adapter*

### POLAR PATTERN



### FREQUENCY RESPONSE

