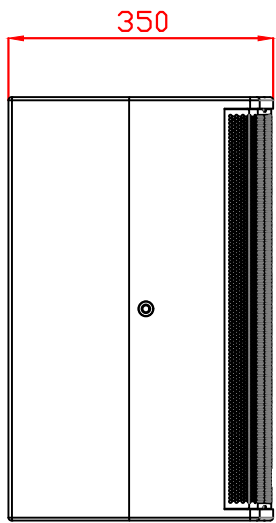
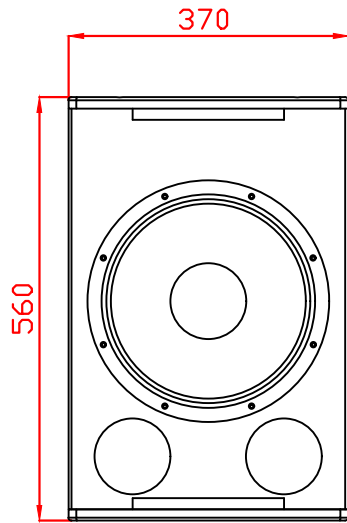


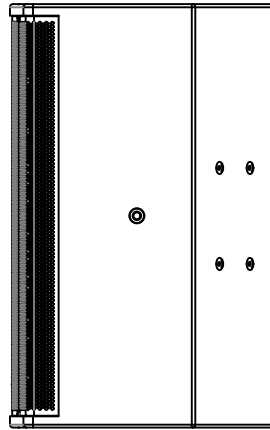
TOP



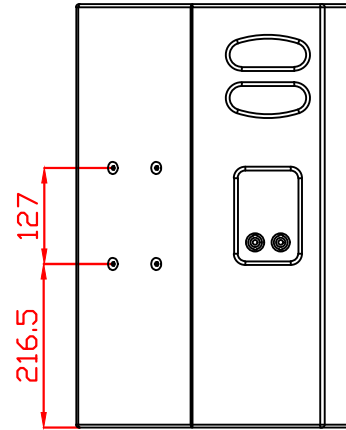
LEFT



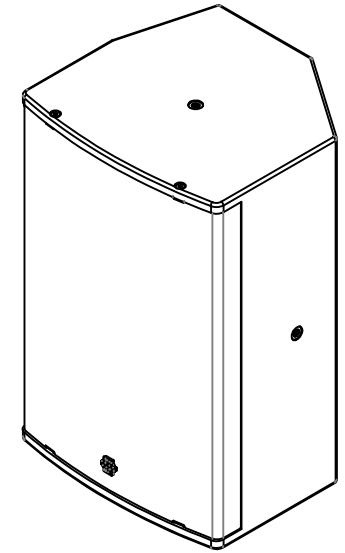
FRONT



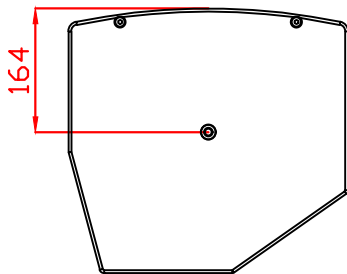
RIGHT



REAR



ISOMETRIC



BOTTOM

DRAWING:	i-C15	VERSION:	2
SCALE:	1:10	TOLERANCES: ALL LINEAR DIMS +/- 0.2mm ALL ANGULAR DIMS +/- 0.5	
ALL MEASUREMENTS IN MILLIMETERS			

THIRD ANGLE PROJECTION

