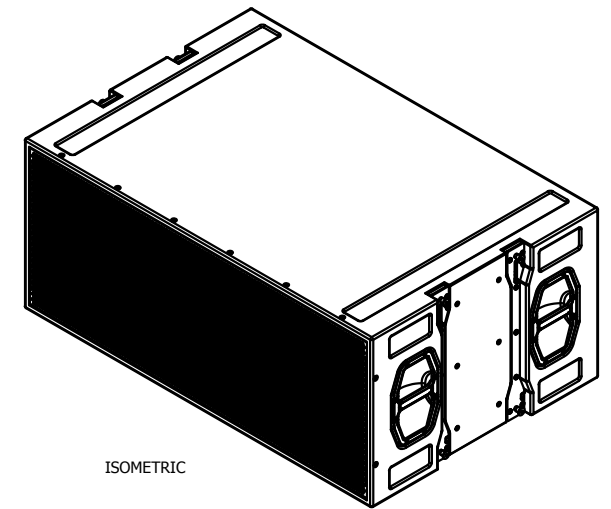
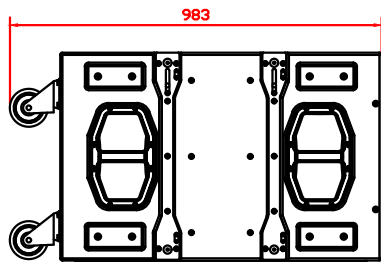


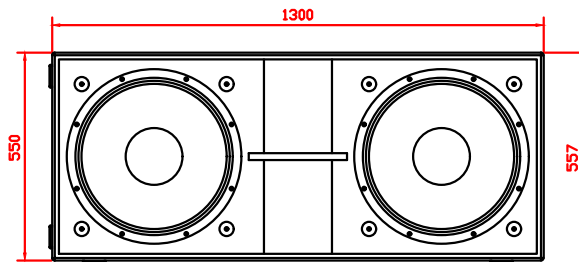
TOP



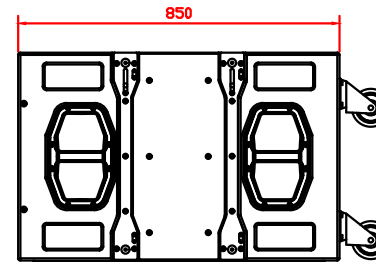
ISOMETRIC



LEFT



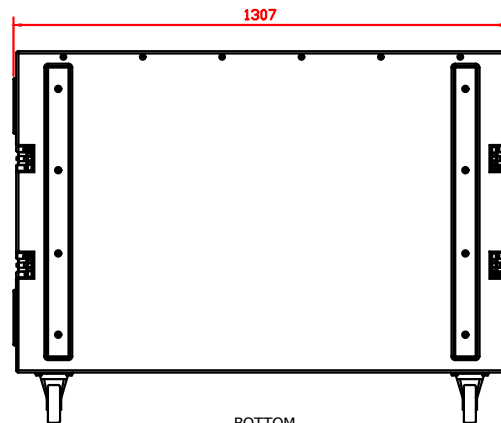
FRONT



RIGHT



REAR



BOTTOM

DRAWING:	ST-218	VERSION:	1
SCALE:	1:20	TOLERANCES: ALL LINEAR DIMS +/- 0.2mm ALL ANGULAR DIMS +/- 0.5	
ALL MEASUREMENTS IN MILLIMETERS			

THIRD ANGLE PROJECTION

