

Product Specifications

PGA57 Cardioid Dynamic Instrument Microphone

Overview

PGA57 Cardioid Dynamic Instrument Microphone is a professional quality microphone featuring highly durable design and construction that delivers excellent sound. Ideal for use in amplified instrument and acoustic drum performance and recording, the PGA57 includes a swivel adapter, carrying pouch and XLR cable.

Features

- Tailored microphone cartridge design for clear reproduction of sound source
- Cardioid polar pattern picks up audio from the source while rejecting unwanted noise
- Updated industrial design with black metallic finish and grille for unobtrusive visual presence
- Available with XLR-to-XLR cable (4.6 m)
- Stand adapter for mounting to a microphone stand
- Zipper pouch included for additional protection during storage or transport
- Legendary Shure quality design and construction for exceptional performance in rigorous environments

Product Specifications

Type	Dynamic (moving coil)
Frequency Response	70 to 15,000 Hz
Polar Pattern	Cardioid
Output Impedance	150 Ω
Sensitivity <i>at 1 kHz, open circuit voltage</i>	-56.5 dBV/Pa (1.5 mV) 1 Pa=94 dB SPL
Polarity	Positive pressure on diaphragm produces positive voltage on pin 2 with respect to pin 3
Weight	280 g
Connector	Three-pin professional audio (XLR), male
Operating Temperature	-29 to 74 °C
Operating Humidity	0 to 95%



PGA57

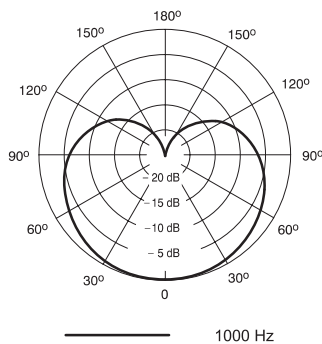
Available SKUs

PGA57-XLR	Microphone, clip, stand adapter, pouch and 4.6 m XLR-to-XLR cable
------------------	---

Accessories

A25D	Break-resistant microphone clip
A85WS	Black foam windscreen
31A1856	5/8" to 3/8" thread adapter
C25J	7.6 m XLR-to-XLR cable
RPMP57G	Replacement PGA57 black mesh grille

Polar Pattern



Frequency Response

