



i-C12

coaxial passive installation loudspeaker

Product User Manual
v1 November 2019

Contents

DECLARATION OF CONFORMITY	4
1.0 - Introduction.....	5
Unpacking.....	5
2.0 - i-C12 & Accessories	6
i-C12.....	6
IB-hC12	6
IB-vC12.....	6
3.0 - Simulation.....	7
Ease Focus 3	7
4.0 - Safety Considerations.....	8
General Considerations in use	8
Personal Injury.....	8
Stand Mounting.....	8
Ground Stacking	9
Rigging and Suspension.....	9
Secondary Safeties.....	10
Safety Inspections.....	10
Material Damage from Magnetism	10
5.0 - Rigging & Mounting Options	11
5.1 - i-C12 Cabinet Overview.....	11
5.2 - Using the IB-vC12.....	12
5.5 - Using the IB-hC12.....	12
5.7 - Safety Point.....	13
5.8 - Using Powerdrive or Omnimount fittings	14
6.0 - Powering the System.....	15
6.1 - Amplifier and Processing Requirements	15
6.1.1 - Connections.....	15
6.1.3 - Amplifier Requirements	16
6.1.4 - Processing Requirements.....	16
6.2 - Presets and Settings	17
6.2.1 - Standard i-C12 Preset.....	17
6.2.2 - Geometric Delay.....	17

6.2.3 - Applying EQ.....	17
6.3 - Use with the DQ Series Advanced System Amplifiers	18
6.3.1 - Connections	18
6.3.2 - Preset Recall.....	18
6.4 - System Connectivity.....	19
6.4.1 - Cable Length and Specification.....	19
6.4.2 - Crossover Cable Use	19
7.0 - Servicing Information.....	20
7.1 - i-C12: Removing the grille	20
7.2 - i-C12: Removing the coaxial drive unit.....	21
Appendix A - Technical Specifications.....	22
i-C12 coaxial passive installation loudspeaker	22
Appendix B - Technical Drawings	23
Appendix C - Spare Parts List	26
Appendix D - Warranty Information	27
Limited Warranty	27
Warranty Coverage	27
Returning your EM Acoustics loudspeaker.....	27

DECLARATION OF CONFORMITY



The products contained within this manual conform to the requirements of the EMC Directive 89/336/EEC, amended by 92/31/EEC and to the requirements of the Low Voltage Directive 73/23/EEC amended by 93/68/EEC.

EMC Emission	EN55103-1:1996
Immunity	EN55103-2:1996
Electrical Safety	EN60065:1993

RECYCLING



This product and its packaging constitute the applicable product according to the WEEE directive. Please ensure that at the end of the working life of this product, it is disposed of sensibly in accordance with local and national recycling regulations. The packaging supplied with this product is recyclable. Please retain all packaging, however if disposing of this packaging please ensure that you comply with local recycling regulations. These products also all comply to the RoHS Directive 2002/95/EC.

1.0 - Introduction

Thank you for purchasing the highly acclaimed i-C12 from EM Acoustics. This product has been designed and rigorously tested to give you the utmost in sonic performance and many years of reliable, trouble-free operation. Please take the time to read this user manual thoroughly to ensure you get the best performance from your system and to ensure you set it up correctly and safely. If you have any questions or are in any doubt whatsoever about any aspect of your new product, please do not hesitate to contact us directly or your local EM Acoustics representative.

The i-C12 is a coaxial passive 2-way loudspeaker, intended for a wide variety of installation applications - from theatre through to corporate A/V, and on to bar, nightclub and live music reinforcement. The compact enclosure houses a coaxial 12" LF/1.3" HF drive unit, along with an extremely comprehensive passive crossover network. This means the i-C12 exhibits flat frequency and phase responses without the need of external corrective processing.

This manual contains all the information you should need on topics of set up, amplifier connection and basic service. If you feel we have missed anything, or you have a question not covered by this manual, please visit our website www.emacoustics.co.uk and send us a message or give us a call - we're only too happy to help.

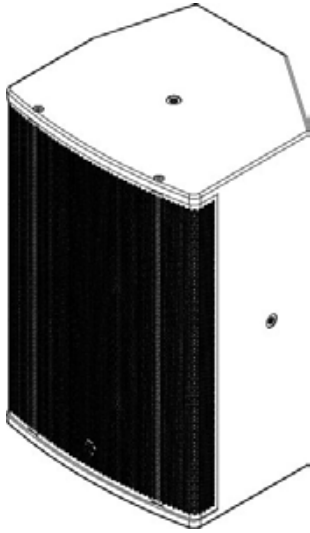
Unpacking

Please take care when unpacking your loudspeaker system. Once unpacked, please inspect each enclosure thoroughly for any transit damage and in the case of any damage please notify your carrier immediately. It is the responsibility of you, the consignee, to instigate any claim. Please retain all original packaging in case of future re-shipment.

2.0 - i-C12 & Accessories

i-C12

coaxial passive installation loudspeaker



FEATURES & BENEFITS

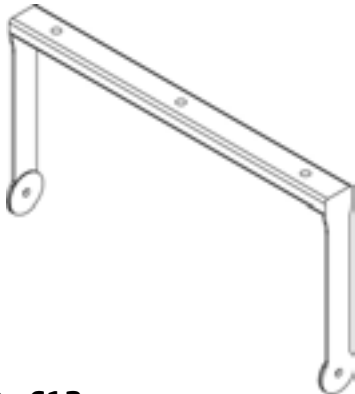
- Signature EM Acoustics "maximum headroom" design approach ensures consistency of performance regardless of SPL level.
- Multiple M10 threaded flying points for bracket attachment.
- Enclosure coated with black or white water-based textured paint as standard.
- Various rigging accessories available.
- Compatible with Omnimount™ Series 60 and Powerdrive™ Series 100 products.
- Custom RAL colour matching and weather protection options available.
- Multi-angle enclosure allows use as a monitor as well as FOH.
- Connections on NL4.
- Single amplifier channel required.

KEY SPECIFICATIONS

ENCLOSURE TYPE:	2-way passive, coaxial, reflex loaded
DRIVE UNITS:	LF: 12" / HF: 1.3"
FREQUENCY RESPONSE:	65Hz - 20kHz +/-3dB
NOMINAL DISPERSION1:	80° conical
MAXIMUM SPL:	127dB continuous, 133dB peak
NOMINAL IMPEDANCE:	8 ohms
DIMENSIONS (HxWxD):	560 (22) x 370 (14.6) x 350 (13.8) mm/(ins)
NET/SHIPPING WEIGHT:	22.6/24.7kg (49.7/54.3lbs)

IB-hC12

Horizontal mounting yoke



The IB-hC12 is a simple and effective means of mounting the i-C12 horizontally in both temporary and permanent applications.

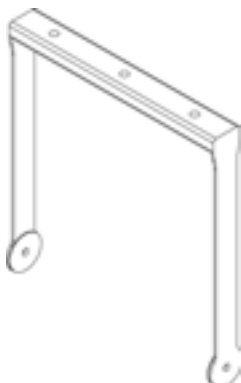
It is secured to the cabinet by means of M10 threaded locking knobs into the top and bottom of the loudspeaker to mount it in a landscape format. Multiple 13mm diameter holes are provided for attachment in installation or via a hook clamp or similar.

The IB-hC12 is designed to support one single i-C12 loudspeaker.

Weight (including fixings) 2.6kg / 5.7lbs

IB-vC12

Vertical mounting yoke



The IB-vC12 is a simple and effective means of mounting the i-C12 vertically in both temporary and permanent applications.

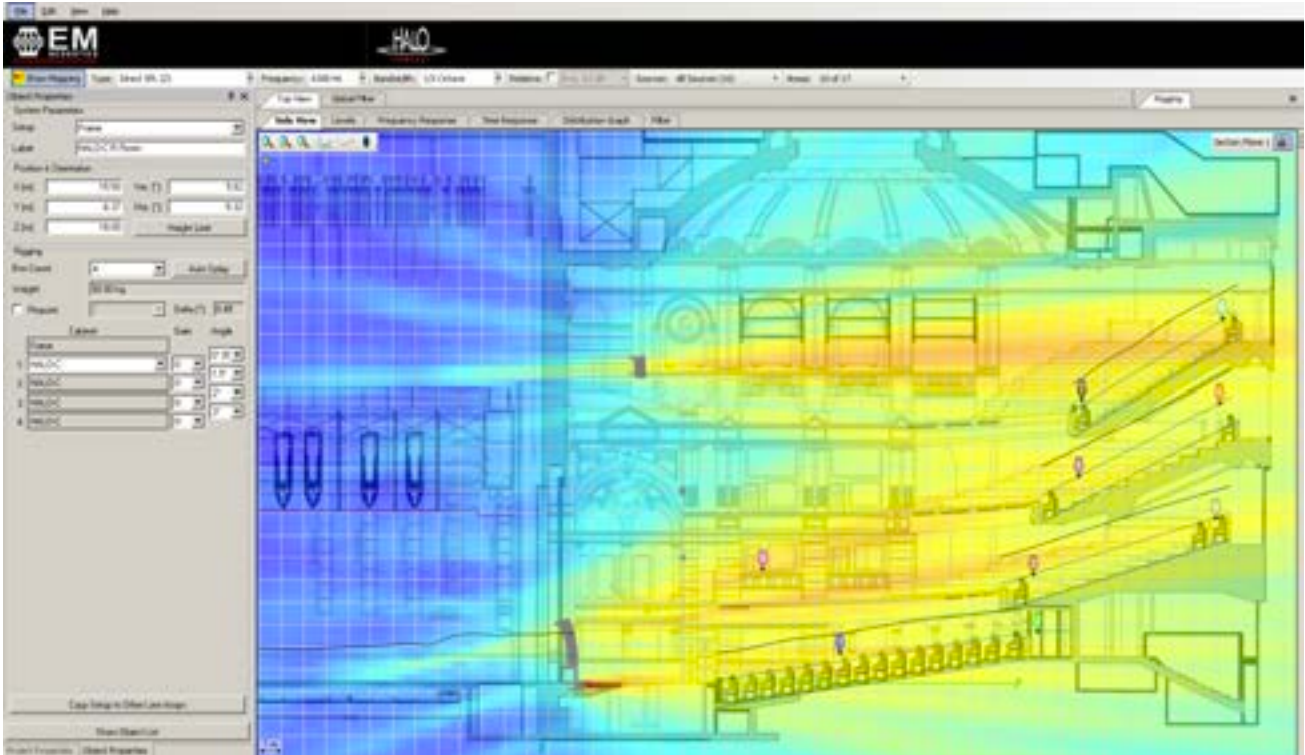
It is secured to the cabinet by means of M10 threaded locking knobs into the sides of the loudspeaker to mount it in a portrait format. Multiple 13mm diameter holes are provided at the top of the yoke for attachment either in installations or via a hook clamp or similar.

The IB-vC12 is designed to support one single i-C12 loudspeaker.

Weight (including fixings) 2.3kg / 5.1lbs

3.0 - Simulation

Ease Focus 3



For acoustic reasons it is advised that users familiarize themselves with Ease Focus 3 - this system provides the user with accurate simulations for setting up i-C12 loudspeakers.

Ease Focus 3 can be downloaded for free from the AFMG website at <http://focus.afmg.eu> and is currently available as a stand-alone application for Windows (XP or Higher) only. It can also be downloaded directly from the [EM Acoustics website](#) with all the current product files embedded.

Tutorials for Ease Focus 3 are available from with the application itself.

For training on the design and implementation of i-C12 loudspeakers including the specific use of Ease Focus 3, please contact your local distributor.

4.0 - Safety Considerations

General Considerations in use

Loudspeaker systems are potentially dangerous objects if used incorrectly. Please ensure that you read this section fully, and contact EM Acoustics or your local dealer should you be in any doubt over correct operation procedures.

Personal Injury

Never stand in the immediate vicinity of loudspeakers when in use at high level. Professional loudspeaker systems are capable of producing sound pressure levels which can cause permanent damage to human hearing. Levels in excess of 90dB can cause hearing damage if people are exposed to them over a long period of time, so care and attention must be used for both staff and audience members.

When deploying loudspeaker systems on the ground or when flown, please take careful note of the following important safety considerations:

- Only use accessories and flying hardware supplied or approved by EM Acoustics for flying or transporting loudspeaker systems. Pay close attention to specific instructions, especially those considering maximum load capabilities as detailed in the appropriate user manuals or on the legend labels on the accessories themselves.
- Ensure all additional accessories, fasteners and secondary safeties are of an appropriate size, working load limit and safety factor.
- All loudspeakers and accessories should be regularly inspected for signs of wear and tear, and any damaged parts should be replaced.
- All load bearing parts and assembly bolts on accessories should be regularly checked to ensure they are tight and not worn.

Stand Mounting

When mounting loudspeakers on a stand, please take note of the following important considerations:

- Ensure your stand height is locked off and the tripod legs are positioned so as to be stable.
- Check the weight loading of your stands before attempting to mount the loudspeaker.
- Do not stack a second loudspeaker on top of the stand-mounted one.
- Ensure cables are run so as to leave enough slack to enable neat wiring, and thus reduce the risk of the speaker being pulled over. Loose cables should be covered or taped down wherever possible to reduce trip hazards.
- If stands are being used outdoors, it may be necessary to add ballast to the base of the stand to prevent it toppling over.
- When using poles on top of subwoofer systems, please observe similar precautions.

Ground Stacking

- Ensure that the floor or stage surface can withstand the weight of the system.
- Wherever possible, avoid high stacks and use ratchet straps to secure loudspeakers together. Please also remember that vibrations from subwoofer systems can shake other loudspeakers out of place, which may present a toppling hazard. The use of ratchet straps and non-slip material is recommended to prevent this.

Rigging and Suspension

Please see Chapter 5 for further information on the detailed rigging options for your loudspeaker system.

WARNING: The overhead suspension of loudspeakers is a very serious issue with potentially lethal consequences should anything go wrong. Rigging should only be carried out by experienced personnel following safe working practice. Should you be in any doubt whatsoever, please contact your local dealer who will be able to refer you to a suitable rigging company.

To ensure the highest standards of safety, the following information on array assembly must be exactly followed and understood.

Only use EM Acoustics recommended rigging hardware and accessories, which are specifically designed for the purpose. Do not use these accessories for any other loudspeaker system - the components are specifically designed to work with this product and are not interchangeable with any other EM Acoustics loudspeaker product (unless where specifically stated) or any other loudspeaker system. The use of EM Acoustics accessories with other manufacturers' systems may compromise the safety standards and EM Acoustics is in no way liable for any loss, damage or injury caused by such practice.

Do not modify or alter the i-C12 loudspeaker or accessories, nor use them in any way other than that described in this manual. Rigging components supplied with the i-C12 are in no way interchangeable and should not be used as such.

The component parts of the i-C12 and its accessories should only be assembled in the manner described in this manual, using the fasteners and fixings stated herein. The use of fasteners and methods of assembly not described in this manual may result in an unsafe assembly and as such EM Acoustics will not be responsible for any loss, damage or injury caused by such practice. Welding, drilling or any other means of modifying any part of the flying hardware or permanently fixing components to each other is strictly forbidden.

Rigging assemblies must only be assembled using the appropriate parts and fixings as described in this manual, explicitly following the assembly instructions given herein. Rigging components must only be fixed to the i-C12 loudspeaker, using the correct cabinet location points, assembly methods and fasteners specifically described within this manual.

Walls, floors and ceilings must be capable of supporting the actual load placed upon them. The rigging hardware must be safely and securely fixed to both the loudspeaker system and the supporting structure.

Secondary Safeties

It is imperative that all loudspeakers flown in any given environment should be provided with a second, independent and properly rated safety suspension point in addition to the principle load bearing means of suspension. Steel wire ropes or steel chains of an approved construction and load rating only may be used as secondary safeties. Plastic covered steel chains may not be used as secondary safeties under any circumstances. Also ensure that all local and national laws are complied with when determining your primary and secondary suspension points.

Safety Inspections

Carefully inspect all flying system components prior to use for defects or signs of damage prior to installing or mounting your loudspeaker. If any components damaged or **you suspect them to be damaged, DO NOT USE THEM.**

Regular scheduled tests - which are much more rigorous than visual inspections - of all rigging components must also be carried out. Safety legislation, and test/inspection requirements, will vary from country to country and as such it is the user's responsibility to ensure that local regulations are adhered to. In most cases, annual independent tests & inspections carried out by a suitably approved and qualified inspector will be required.

EM Acoustics recommends detailed logbooks be kept of all inspections and load tests to ensure an accurate record is kept of the testing for each EM Acoustics rigging accessory.

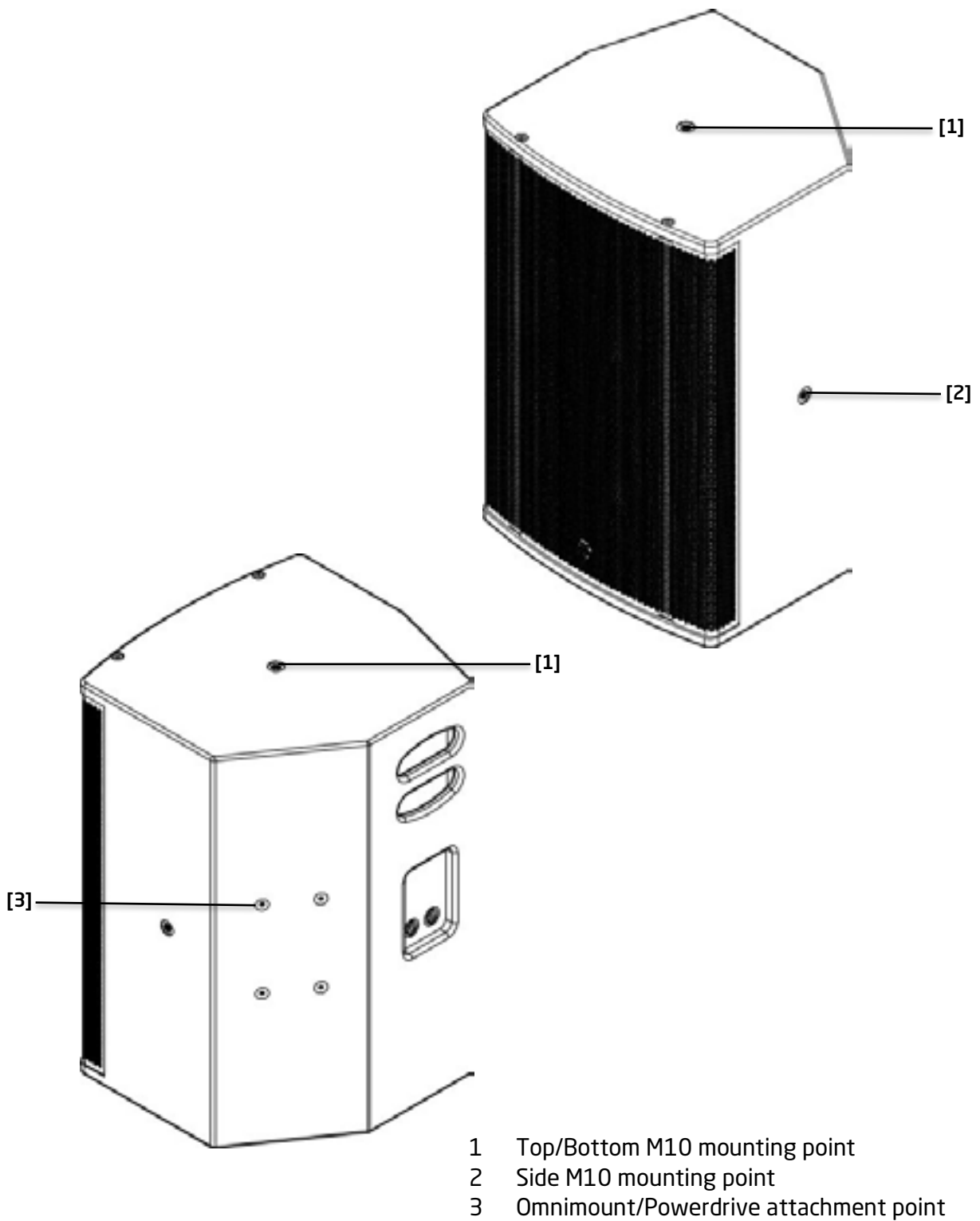
When flying any loudspeaker system, always wear protective headwear, footwear and eye protection in accordance with local regulations.

Material Damage from Magnetism

Loudspeakers produce a static magnetic field at all times - even when not in use. Certain devices are susceptible to external magnetism, and as such a safe distance should be maintained to prevent damage. It is recommended that a safe distance of 0.5m (1.5ft) is maintained from loudspeakers when stored, transported and in use, from devices such as computer hard drives, magnetic media, bank cards to remove the risk of corruption. Larger distances may be required for some older cathode ray tube displays.

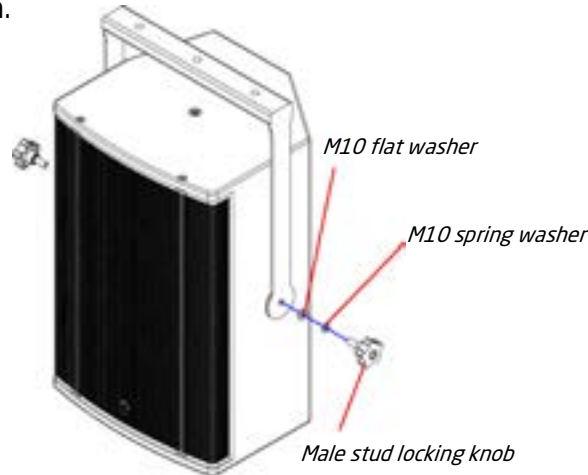
5.0 - Rigging & Mounting Options

5.1 - i-C12 Cabinet Overview



5.2 - Using the IB-vC12

The IB-vC12 is intended to mount the i-C12 vertically - either using a hook clamp or similar from above, or a pole mount adapter to mount on a stand yet allowing enclosure tilt. The procedure for attaching the IB-vC12 to the loudspeaker is the same regardless of the mounting orientation.

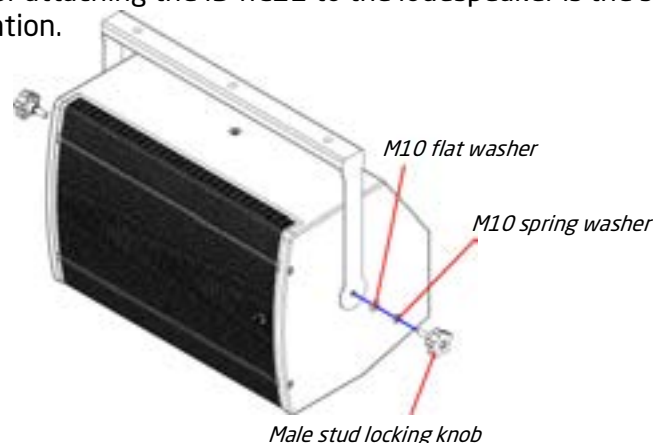


First, check that both sides of the yoke have the adhesive rubber washer in place - this protects the cabinet paint finish as well as providing grip.

Line the bracket mounting holes up with the threaded points on either side of the cabinet and insert the locking knobs. Ensure to use the washers in the correct order as shown. Tighten both locking knobs to set the desired angle.

5.5 - Using the IB-hC12

The IB-hC12 is intended to mount the i-C12 horizontally - either using a hook clamp or similar from above, or a pole mount adapter to mount on a stand yet allowing enclosure tilt. The procedure for attaching the IB-hC12 to the loudspeaker is the same regardless of the mounting orientation.



First, check that both sides of the yoke have the adhesive rubber washer in place - this protects the cabinet paint finish as well as providing grip.

Line the bracket mounting holes up with the threaded points on the top & bottom of the cabinet and insert the locking knobs. Ensure to use the washers in the correct order as shown. Tighten both locking knobs to set the desired angle.

Always ensure that a secondary safety is used when suspending any loudspeaker.

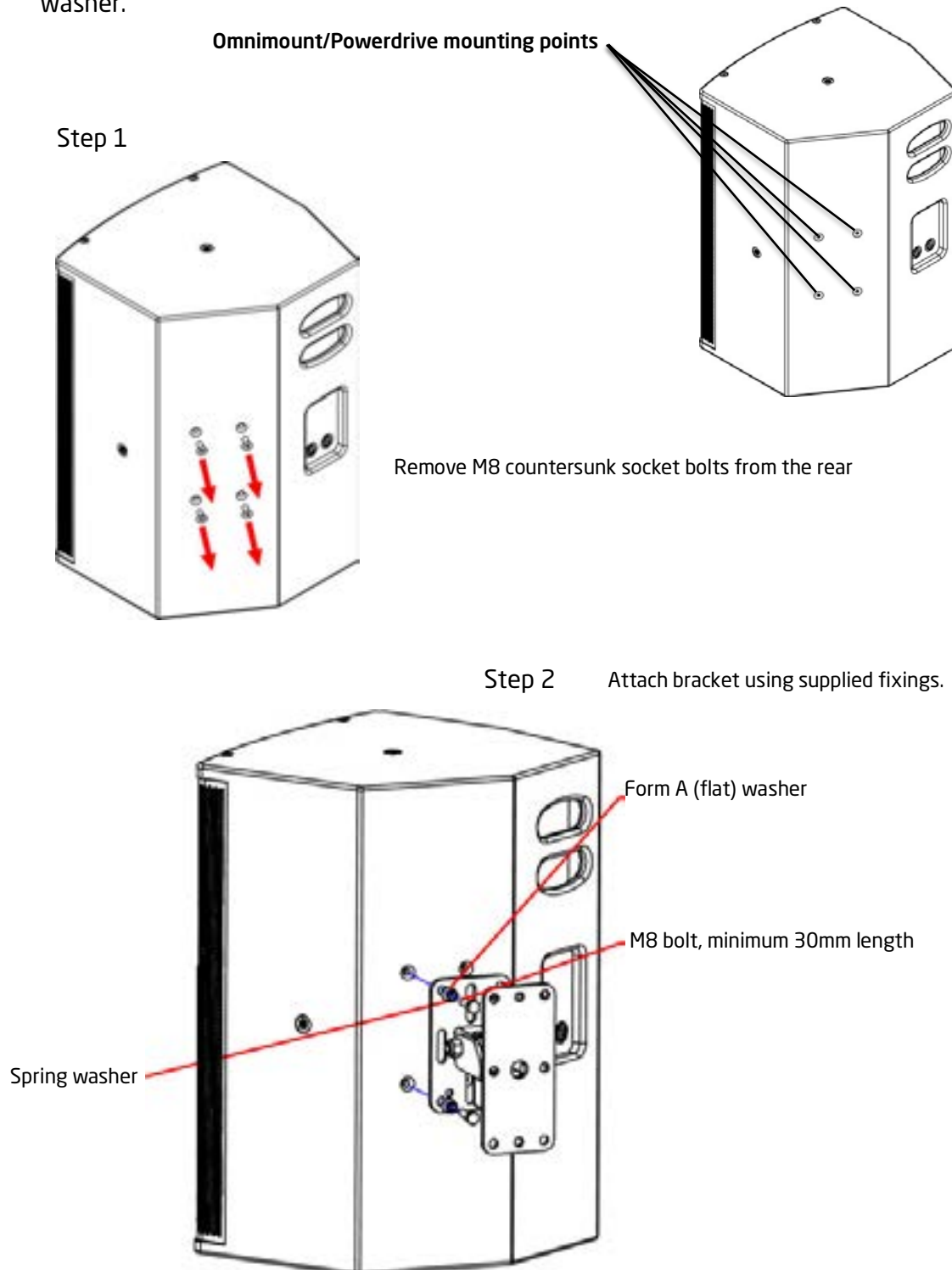
5.7 - Safety Point

Any flown loudspeaker must always have a secondary safety fitted. When any suspension method is used, use one of the unused M10 mounting points, or one of the M8 points on the rear of the cabinet as a safety attachment point. A simple M8 or M10 forged shoulder eyebolt can be screwed into these points (M8 on the rear, M10 on the top/bottom and sides). Safeties should always be arranged so that the loudspeaker cannot drop in the event of a primary attachment point failing.

5.8 - Using Powerdrive or Omnimount fittings

i-C12 loudspeakers are compatible with Powerdrive Series 100 or Omnimount Series 60 installation brackets.

Using a 5mm Allen key, remove the four M8 countersunk socket head bolts on the rear of the i-C12. The mounting bracket can then be attached using the bolts supplied with the bracket - they must be M8 thread, minimum 30mm in length. Ensure flat washers are in contact with the bracket, and the spring washer is in between the bolt head and the flat washer.



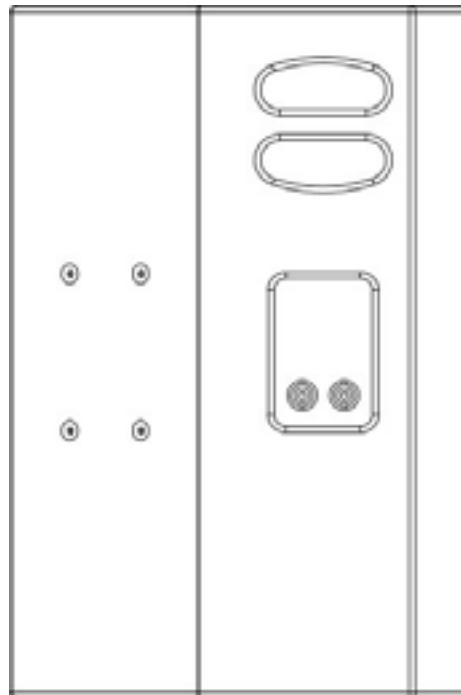
6.0 - Powering the System

The i-C12 can be powered from any amplifier & DSP combinations with the relevant high & low pass filter, and limiter settings. However, due to the self-contained nature of the package, the use of DQ Series advanced system amplifiers is highly recommended. The use of DQ Series amplifiers provides a neat and flexible system that will encompass all requirements for the system to function correctly, as well as providing user control for room EQ and system alignment.

6.1 - Amplifier and Processing Requirements

6.1.1 - Connections

The i-C12 requires only a single amplifier channel. Inputs to the i-C12 enclosure are on Neutrik SpeakON NL4 as illustrated below.



Two-core cable should be used for connecting i-C12 loudspeakers, and the connections are as follows:

SpeakON connection	1+	1-	2+	2-
Drive unit connection	LF +	LF -	Link Through	Link Through

6.1.3 - Amplifier Requirements

The i-C12 is a highly efficient loudspeaker, however appropriate available power is critical to ensure full system headroom. It is good practice to ensure that your amplifier can deliver at least double the RMS power handling of the loudspeaker to ensure full headroom, and as such the amplifier requirement is:

Product	RMS Power Handling	Recommended Min. Amplifier Power
i-C12	400W @ 8 ohms	800W @ 8 ohms

A loudspeaker is far more likely to be damaged by an under-powered amplifier working too hard, than an over-powered amplifier working well within its limits.

All of the DQ Series advanced system amplifiers can be used to power the i-C12.

The following table shows the maximum number of i-C12 that can be connected per channel on the various different amplifiers:

Amplifier	Max i-C12 per channel
DQ6	2
DQ10	3
DQ20	4

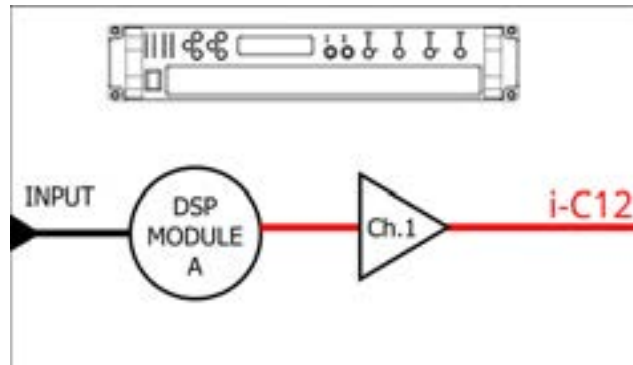
6.1.4 - Processing Requirements

Whilst the i-C12 is a passive loudspeaker and therefore requires no corrective processing, in all but the lowest SPL applications it does require an active high pass filter and appropriate limiter settings to avoid damage. If not using DQ Series amplifiers, or the DSC48 Digital System Controller, then a suitable DSP system must be used in conjunction with your i-C12 to prevent damage to the loudspeaker. Check the EM Acoustics website for the most up-to-date DSP settings for the i-C12.

6.2 - Presets and Settings

6.2.1 - Standard i-C12 Preset

When used with a DQ Series amplifier i-C12 loudspeakers require only a single amplifier channel, and as such the preset recalled will only require one output from your DQ Series amplifier.



6.2.2 - Geometric Delay

Appropriate delay will need to be applied to account for physical location differences between different elements of your system - for example time-aligning subwoofers to the main system. The use of SMAART or similar can make this task a great deal simpler and faster.

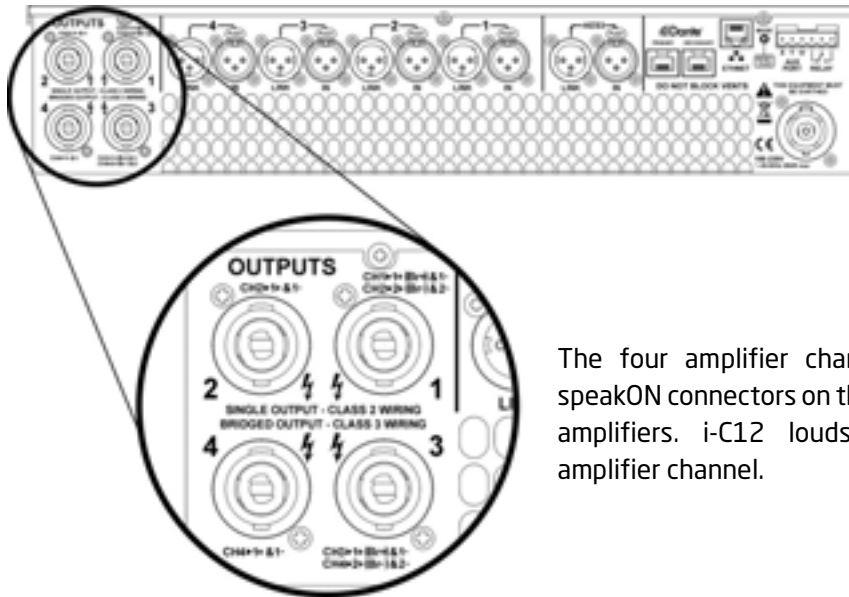
6.2.3 - Applying EQ

The presets are intended to be a starting point for your system and will almost certainly require tuning on-site dependent on room characteristics, the rest of your system design and the system voicing you are aiming for. The i-C12 is designed with a significant amount of system headroom, so applying EQ is perfectly acceptable within sensible limits.

6.3 - Use with the DQ Series Advanced System Amplifiers

The i-C12 will perform best when using DQ Series advanced system amplifiers, as not only are they state-of-the-art amplifiers, but the onboard DSP provides appropriate high/low pass filter settings and limiters to get the best from your loudspeakers. Please refer to the DQ Series User Manual for detailed information on using the amplifiers and the System Engineer software.

6.3.1 - Connections



The four amplifier channels appear on four speakON connectors on the rear of the DQ Series amplifiers. i-C12 loudspeakers require one amplifier channel.

6.3.2 - Preset Recall

The i-C12 preset is pre-installed on the DQ amplifiers, and as such can be used following the normal preset recall procedure. The presets available are:

i-C12.full Standard i-C12 preset

As mentioned above, these presets are intended to be a starting point and additional work may be required depending on the venue, the style of content and the end result you are looking for.



6.4 - System Connectivity

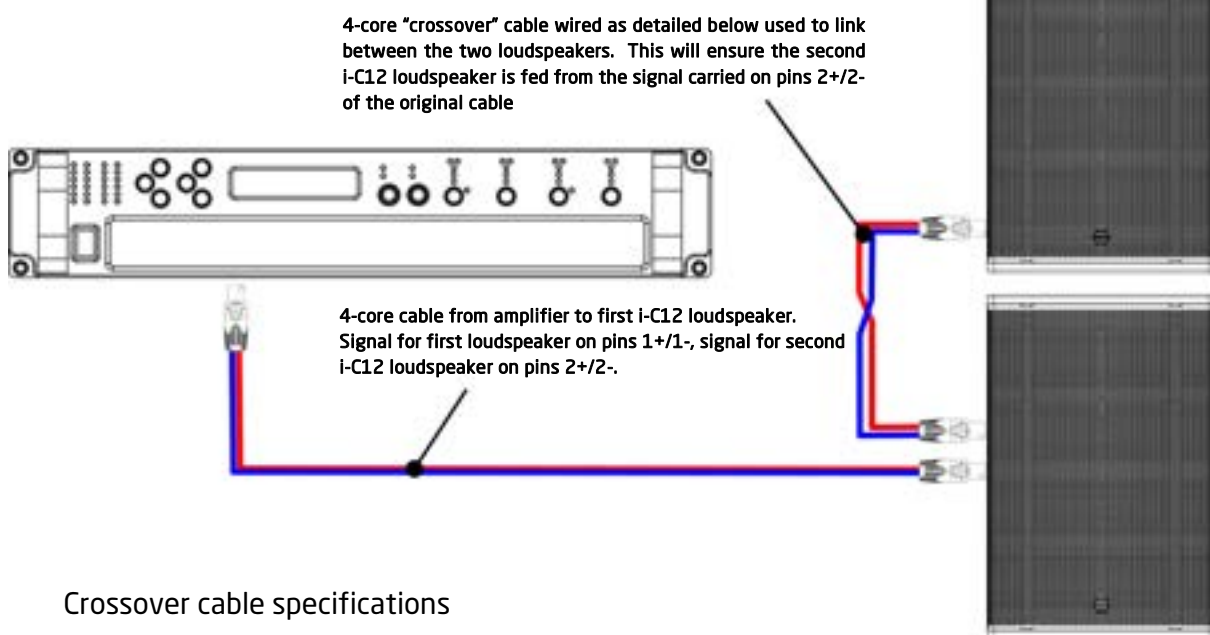
6.4.1 - Cable Length and Specification

All cables add to the system impedance, and as such careful selection is required depending on your amplifier setup and overall system impedance. Cables with a cross sectional area of less than 2.5mm² should not be used. Recommended maximum cable lengths are given below:

Conductor Area	Maximum Recommended Cable Length		
	2 ohms	4 ohms	8 ohms
2.5mm ² (14 AWG)	15m	30m	60m
4.0mm ² (12 AWG)	20m	40m	80m
6.0mm ² (10 AWG)	30m	60m	120m

6.4.2 - Crossover Cable Use

The use of a pin-swap or “crossover” cable can allow for neater cable solutions when sending different amplifier signals to the same location. Because pins 2+/2- are linked through inside all EM Acoustics loudspeakers, using a 4-core cable to one loudspeaker (carrying two different signals) allows a crossover cable to be used to link out of the first loudspeaker into another, thereby feeding it from a separate signal.



Crossover cable specifications

Connector A Pin	Connector B Pin
1+	2+
1-	2-
2+	1+
2-	1-

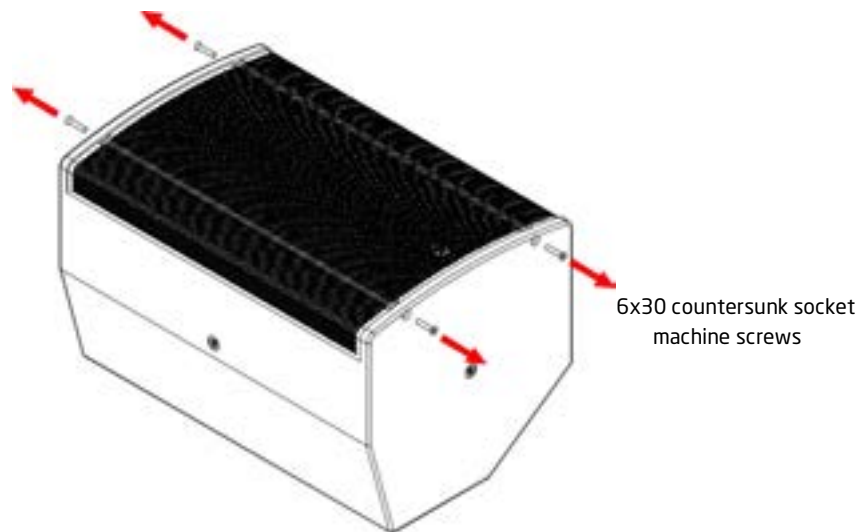
7.0 - Servicing Information

All i-C12 components can be removed for service purposes if required, using the minimum of tools.

7.1 - i-C12: Removing the grille

TOOLS REQUIRED: 4mm Allen key

1. Lie the enclosure on its' back and remove the two M6x30 countersunk socket screws from each end using a 4mm Allen key, and then lift the grille clear of the cabinet.

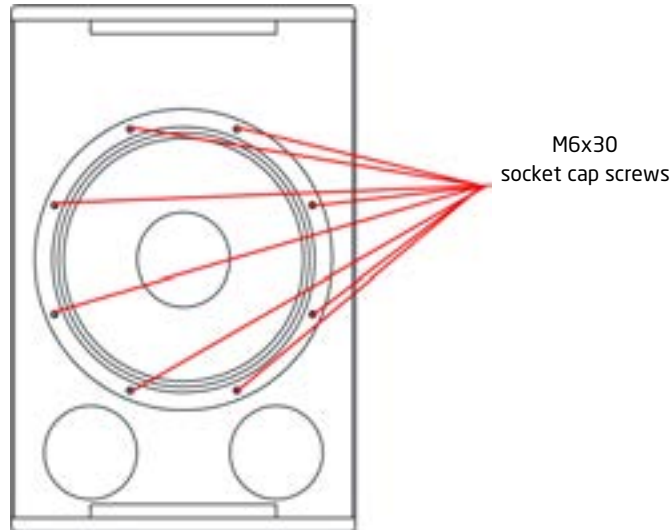


2. To replace the grille, position the grille on the front of the i-C12 and ensure the threaded fittings on the grille are lined up with the mounting holes - gentle pressure may be required. Replace all of the M6x30 countersunk socket screws and ensure they are all started in their threads before beginning to tighten. Ensure they are all tightened evenly so that the grille sits straight and does not rattle. Be careful not to over-tighten as this will distort the grille.

7.2 - i-C12: Removing the coaxial drive unit

TOOLS REQUIRED: 5mm Allen key

1. Complete step 7.1 above to remove the grille.
2. Using a 5mm Allen key, remove the eight M6x30 socket cap screws that secure the drive unit. Ensure that you collect the spring washers as well as the machine screws from each mounting bolt location.



3. Lift the drive unit clear of the mounting hole and disconnect the cables - note the polarity for reconnection (brown to LF positive, blue to LF negative, white to HF positive, yellow to HF negative).
4. To replace the drive unit, ensure the 12" gasket is intact and complete - replace if necessary. Reconnect the cables to the drive unit (note the polarity detailed above) and then sit the drive unit into its mounting location, ensuring that the mounting holes line up.
5. Replace the M6x30 socket cap machine screws with their spring washers and ensure all machine screws are started in their threads before tightening. Tighten opposing bolts, working around the drive unit until all bolts are appropriately tightened. Be careful not to overtighten as this will distort the drive unit chassis.
6. Replace the grille as described above.

Appendix A - Technical Specifications

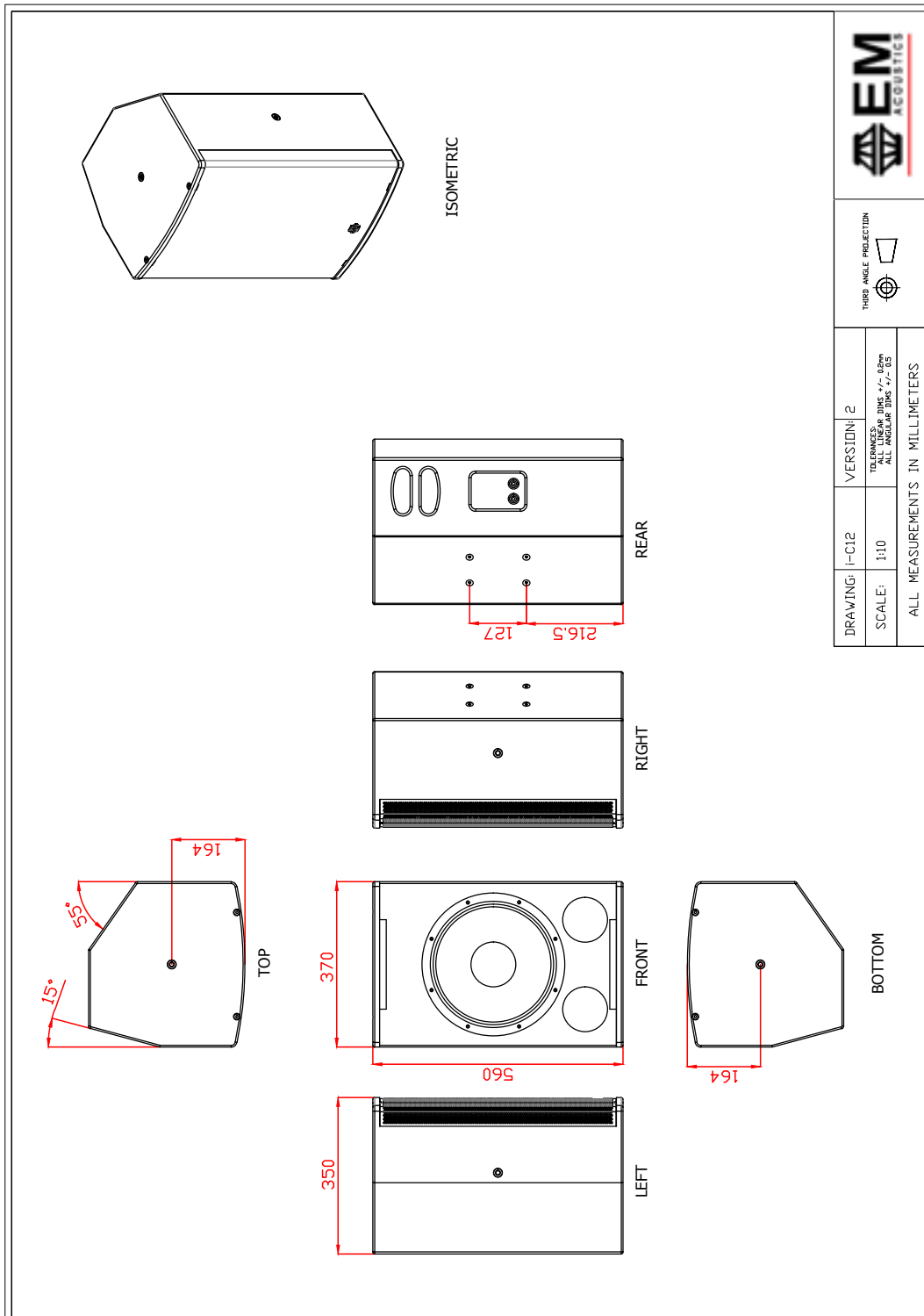
i-C12 coaxial passive installation loudspeaker

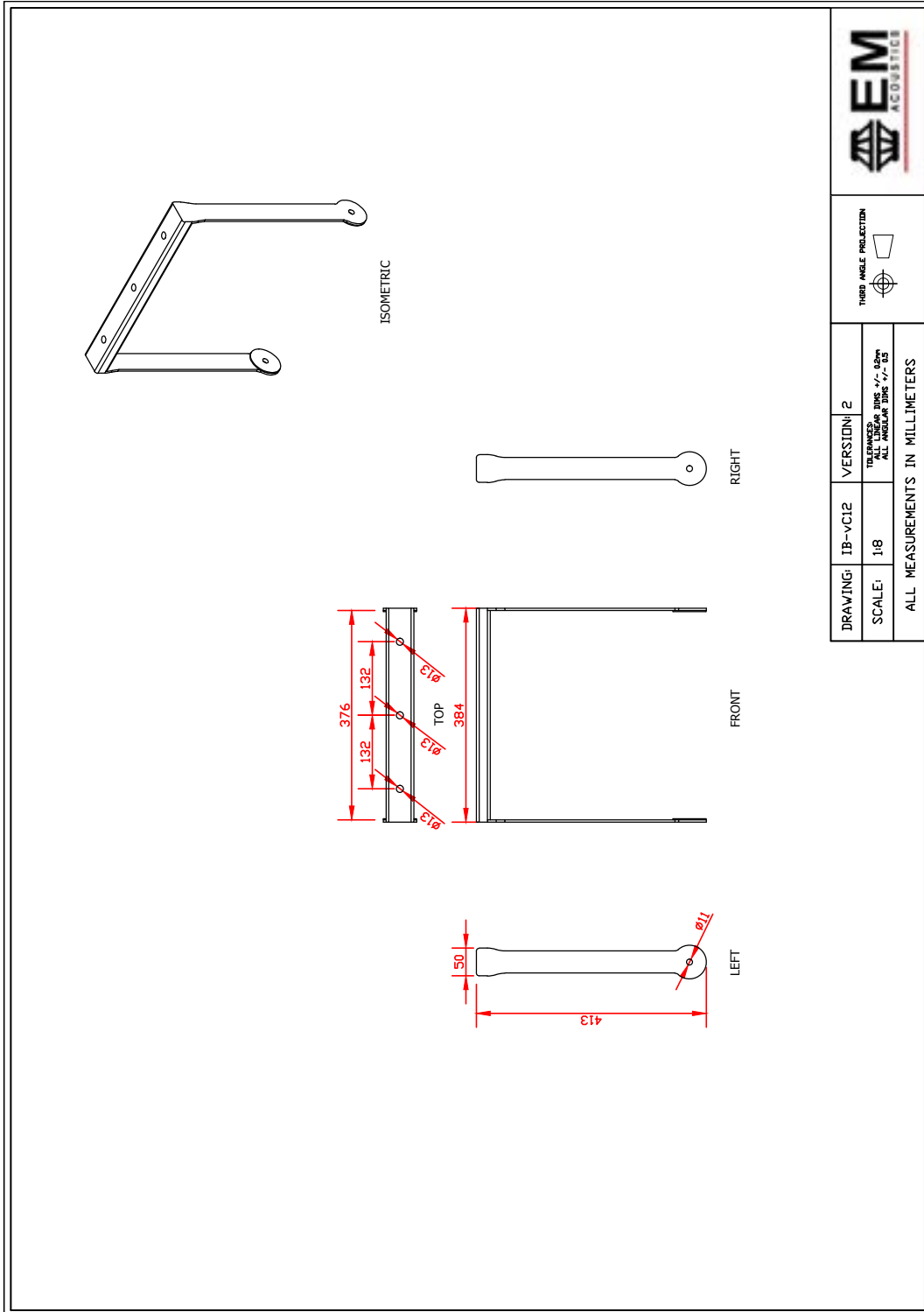
Dimensions (HxWxD):	560 x 370 x 350mm (14.6" x 14.6" x 13.8")
Net/Shipping Weight:	22.6kg/24.7kg (49.7/54.3lbs)
Frequency Response (+/- 3dB) ¹ :	65Hz - 20kHz
Dispersion ³ :	80° conical
Drive Units:	12" (305mm) / 1.3" (33mm) coaxial drive unit
Power Handling:	LF: 400W RMS, 800W program
Maximum SPL:	127dB continuous, 133dB peak
Nominal Impedance:	8 ohms
Crossover:	Asymmetric internal passive
Enclosures per amp channel:	DQ6: 2 DQ10: 3 DQ20: 4
Connectors:	2 x Neutrik SpeakON™ NL4
Enclosure:	15mm (5/8") multi-laminate birch plywood, rebated, screwed and glued. Finished in black or white textured paint
Rigging & Hardware:	4 x M10 threaded rigging points. 4 x M8 threaded points for Omnimount™ Series 60/Powerdrive™ Series 100 products
Grille:	Perforated steel backed with acoustically transparent fabric
Options:	Colours/Weather Protection
Accessories:	IB-vC12 vertical flying bracket IB-hC12 horizontal flying bracket

Notes on measurement conditions:

¹Measured on-axis at 2m in an anechoic environment and referenced to 1m. ²Measured in half-space at 2m with 4W sine wave input and referenced to 1m. ³Nominal dispersion, measured in an anechoic environment and averaged over stated bandwidth. ⁴Calculated and verified by subjective listening test of familiar program material.

Appendix B - Technical Drawings





Appendix C - Spare Parts List

Order Code	Description
01A503	CAD-1202 replacement 12" / 1.3" coaxial drive unit
04A039	RFG-i-C12 replacement grille/fabric for i-C12
07A038	PX-i-C12 replacement passive crossover assembly for i-C12

Appendix D - Warranty Information

Limited Warranty

This EM Acoustics loudspeaker product is warranted to the original end-user purchaser and all subsequent owners for a period of **five (5) years** from the original date of purchase.

Warranty Coverage

This warranty covers defects in materials and workmanship. It does not include:

- Damage or failure caused by accident, misuse, neglect, abuse or modification by any person other than an authorised EM Acoustics representative.
- Damage or failure caused by operating the loudspeaker product contrary to the instructions contained within this manual.
- Damage caused during shipment.
- Claims based on any misrepresentation by the seller.
- Products which contain anything other than the original components (or EM Acoustics factory supplied spare parts).
- Products on which the serial number has been removed, altered or defaced.

Returning your EM Acoustics loudspeaker

Should your EM Acoustics loudspeaker develop a fault, please return it (freight prepaid) in its original packaging, along with proof of purchase to your local dealer or to:

EM Acoustics (Returns Department), Building 19.11, Dunsfold Park, Cranleigh, Surrey, GU6 8TB, UK

including a description of the suspected fault. Serial numbers must be quoted in all correspondence relating to the claim. EM Acoustics or its representatives are in no way liable for any loss or damage in transit, and hence it is recommended that the sender insure the shipment. EM Acoustics will pay for return freight should the repair be covered under warranty.

EM Acoustics' liability is to the replacement or repair (at our discretion) of any defective components, and as such are not liable for any incidental and consequential damages including (without limitation) injury to persons, damage to property or loss of use.

This warranty is exclusive and no other warranty is expressed or implied. This warranty is also in addition to - and in no way detracts from - your statutory rights as a consumer.